

Part number

# CHV 24



## Brief description:

hoods for two levers, size "104.27", top entry, Pg21, metal version, IP66

### Product description

Version	metal version
Series	hoods for two levers
Product type	with 4 pegs
Variant	top entry
Family	CLASS enclosures
Size	size "104.27"



### Technical data

Material	metal
IP degree of protection	IP66 (and IP69K DIN 40050 - 9)
Cable entry	Pg21

### Further technical details

Weight	170,00 g
--------	----------

### Approvals / Standards

Quality mark	 (type:4/4X/12),  , EAC
Conformity	CQC, CE

### General ordering information

EAN13 code	8015747024648
Tariff number	85369095

### Packaging Information

Packaging length	225,00 mm
Packaging height	155,00 mm
Packaging width	265,00 mm
Packaging weight	3,70 kg
Packaging volume	9,24 dm <sup>3</sup>
Packaging description	Carton box
Packaging quantity	20 Pcs
Packaging EAN code	8015747024655
Sub-packaging weight	0,93 kg
Sub-packaging description	Plastic packaging
Sub-packaging quantity	5 Pcs
Sub-packaging EAN barcode	8015747024662

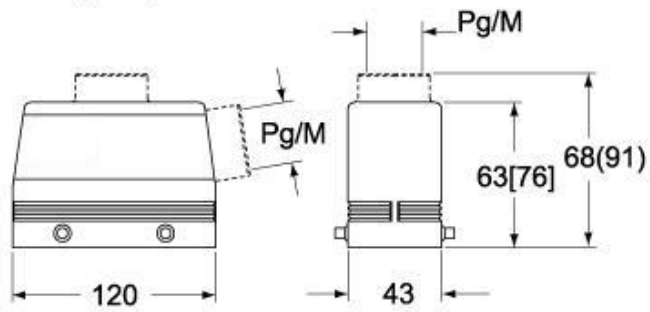
Part number

# CHV 24



Catalogue drawings

**CHO [CAO] CHV (CAV) - MHO [MAO]  
MHV (MAV)**



**CHV G (CAV G) - MHV G (MAV G) - [MFV G]**

